

Sales Bulletin

Product Spotlight: GorillaGrip® Fold Ups

The GorillaGrip® folding tool was designed and developed to be the strongest, easiest to use and most comfortable folding tool set in the world. Functional comparisons and strength tests between GorillaGrip® folding tools and competitor folding tools from around the world, prove all the claims of GorillaGrip® tool superiority. The tools in all GorillaGrip® sets are manufactured with Bondhus' exclusive Protanium® Steel and finished with its' proprietary ProGuard™ corrosion resistant finish. GorillaGrip® folding tool sets save the tool user time every time they are used. GorillaGrip® folding tool sets are protected by six US and foreign patents, ensuring GorillaGrip® features and strength are only available from Bondhus. GorillaGrip® folding tool sets are available in more than twenty five handle and blade, set combinations, the widest range of options in the world.



Features

- 1) World's strongest handle
- 2) Tools open from both sides
- 3) Molded-in 90 degree stop
- 4) Patented spacers between tools
- 5) Flip-and-Turn feature
- 6) Speed-Wrench feature
- 7) Smooth edges & radiused corners
- 8) Recessed bolt and nut heads
- 9) Molded-in tool size indicators
- 10) Tool ramps
- 11) Compact design
- 12) Custom bolt and lock nut
- 13) Smooth, non-porous handle
- 14) Six US & foreign patents

Benefits

- 1) Tool user can deliver more torque without breaking handle
- 2) Saves time because tools are selected without folding one layer over the other
- 3) Solid 90 degree stop prevents pinching of hand
- 4) Saves time because individual tools can be selected and tools won't rust because they don't rub against each other
- 5) Saves time by eliminating the need to reposition the tool after each rotation
- 6) Saves time by using handle as a crank in its 'Z' position
- 7) Handle is comfortable to carry and use
- 8) No protruding bolts and nuts to injure the tool user
- 9) Saves time because the size I.D. is at the top of each tool
- 10) Saves time because tool tips are held in position for easy selection
- 11) Easy to store and carry, easy to deliver more torque
- 12) Tool lasts longer because nut and bolt is stronger than commercial fasteners and the locknut allows end user to adjust the tension of the tools
- 13) Saves time because clean up is easy; just a quick wipe
- 14) Means this high quality tool can only be supplied by Bondhus

New Bondhus Fold Up Literature Available

Attached is the PDF English version of the new Bondhus GorillaGrip® Fold Up Tools flyer. **This flyer is only available electronically** (we do not have printed copies).

We can provide you with the original InDesign file of this flyer if you want to localize it to meet the needs of your market. If you require the InDesign file, send your request to Diana Maxwell at

dmaxwell@bondhus.com or
fax request to 763-295-4440.

BONDHUS TOOLS THAT WORK
GorillaGrip® Fold Ups MADE IN USA

- Patented handle design makes every job faster and easier
- Durable GorillaGrip® handle is stronger than steel handles
- Precision cut and chamfered tip ensures full tool engagement in the screw

Color Coded

- Inch
- Metric
- Star
- Inch/Metric
- Motorcycle
- Utility

LIFETIME WARRANTY
 Any Bondhus tool breaks or fails to perform properly under normal use, we'll replace it for free. No questions asked.

proFinish High Torque Steel:
 Up to 20% stronger, with more torque and twice the wear resistance of standard grades of steel.

FINISH OPTIONS:

- proFinish** Corrosion-resistant finish: Environmentally safe, provides better tool grip, resists solvents and is 5 times more corrosion resistant than competitor finishes.
- UltraChrome** Next generation chrome finish: Traditional plated tool look with superior protection and durability.
- GoldGuard** Real 14 karat gold finish: Superior protection and durability over traditional chrome and the look and shine of real gold.

Patented Flutes allow for easy selection of one tool at a time.

Blades are accessed from both the top and bottom, eliminating the constant 'unstacking' of blades.

Turn & Flip Feature eliminates constant removal and repositioning in screw head when working against obstructions.

90° stop converts the tool into a non-stop, time saving, speed wrench.

www.bondhus.com

BONDHUS TOOLS THAT WORK MADE IN USA

Multi Packs

PART#	MODEL#	PCS	CONTENTS	QTY
12522	HF10	10	12589 (5/4-1/4") + 12587 (2-8mm)	1
12544	HF15	15	12587 (2-8mm) + 12634 (19-140)	1
12633	HF24	24	12689 (5/4-1/4") + 12587 (2-8mm) + 12634 (19-140)	1

Sets

PART#	MODEL#	PCS	CONTENTS	QTY
12591	HF9S	9	050, 116, 564, 332, 764, 118, 964, 532, 316"	1
12589	HF9	9	564, 332, 764, 118, 964, 332, 316, 732, 114"	1
12586	HF5	5	316, 732, 114, 516, 38"	1
12592	HF7MS	7	1.5, 2, 2.5, 3, 4, 5, 6mm	1
12587	HF7M	7	2, 2.5, 3, 4, 5, 6, 8mm	1
12595	HF6M	6	3, 4, 5, 6, 8, 10mm	1
12650	HF12	12	564, 332, 764, 118, 964, 532", 1.5, 2, 2.5, 3, 4, 5mm	1

Hex End

Ball End

Star Tip

Tamper Resistant

Utility

Hawg Buddy

Cycle Buddy

Distributed by:

Bondhus Corporation
 1400 E Broadway • PO Box 660 • Monticello, MN 55362
 Tel: 763-295-2162 • Toll Free: 800-338-8310 • Fax: 763-295-4440
 *TORX® is a registered trademark of Acument Intellectual Properties, LLC.
 Harley Davidson® is a registered trademark of Harley Davidson®
 Bondhus, ProFinish, UltraChrome, GoldGuard, and GorillaGrip are trademarks of Bondhus Corporation.

EDP# 9948 99 ©2011 Bondhus Corporation

INTERNATIONAL HARDWARE FAIR
 COLOGNE

Cologne Fair 2012

The 2012 Cologne Fair runs from Sunday, March 4th through Wednesday, March 7th.

Bondhus Booth # Hall 10.1, Aisle H50/J50

We look forward to seeing you in Cologne.

Please mark your calendars!

Bondhus Adds Large Bit Sizes to Its' Line of High Performance Socket Bits!

Bondhus Corporation announces the addition of large size bits (**7/8" to 2"**, **22mm to 36mm** and **T70 to T100**) to our line of high performance socket bits. Each Bondhus socket bit utilizes an innovative design that allows the bit to flex instead of break when high torque levels are applied. This innovative design coupled with Bondhus' exclusive Protanium® steel makes each bit up to 20% stronger than competitor bits. These high performance bits are held into the socket with Bondhus' exclusive ProHold® technology which eliminates the need for roll pins and set screws. All Bondhus socket bits carry a lifetime warranty and feature Bondhus' proprietary ProGuard™ finish, which offers 5 times more corrosion protection when compared to competitor finishes.

New Bondhus Large Size ProHold® Socket Bit Literature Available

Attached is the PDF English version of the new Bondhus Large Size ProHold® Socket Bits flyer. This flyer is only available electronically (we do not have printed copies).

We can provide you with the original InDesign file of this flyer if you want to localize it to meet the needs of your market. If you require the InDesign file, send your request to Diana Maxwell at

dmaxwell@bondhus.com or
fax request to 763-295-4440.

BONDHUS TOOLS THAT WORK

ProHold® Socket Bits
Large Sizes
 for big jobs

Available in sizes up to 2", 36mm and T100 Star

Sizes are plainly marked on sockets

BONDHUS TIP: Clean corners and smooth end
COMPETITOR: Burs and other imperfections

Bondhus chamfers every Hex End socket bit for easy insertion.

LIFETIME WARRANTY
 Every Bondhus socket bit has a lifetime warranty. No matter how many times you use it, it will last. If you ever need a replacement, simply return it. We will replace it at no charge.

High Torque Steel:
 Up to 20% stronger, with more torque and twice the wear resistance of standard grades of steel.

BIT FINISH:
ProGuard Corrosion-resistant finish: Environmentally safe, provides better tool grip, resists solvents and is 5 times more corrosion resistant than competitor finishes.

www.bondhus.com

BONDHUS TOOLS THAT WORK

ProHold® Socket Bits
Large Sizes

Singles

SIZE	LENGTH	PART#	QTY
7/8	2.5"	33220	1
1	2.5"	33221	1
1 1/8	2.5"	33223	1
1 1/4	2.5"	33225	1
1 1/2	2.5"	33229	1
1 3/4	2.5"	33231	1
2	2.5"	33233	1
22	2.5"	33291	1
24	2.5"	33293	1
27	2.5"	33295	1
32	2.5"	33297	1
36	2.5"	33300	1

Star

SIZE	BIT STOCK	LENGTH	PART#	QTY
T70	17mm	2"	32070	1
T80	19mm	2"	32080	1
T90	22mm	2.5"	32090	1
T100	22mm	2.5"	32090	1

Distributed by:

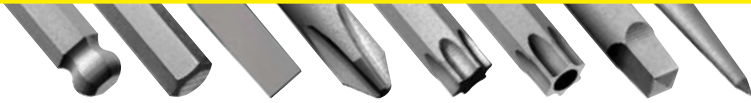
Bondhus Corporation
 1400 E Broadway • PO Box 660 • Monticello, MN 55362
 Tel: 763-295-2162 • Toll Free: 800-328-6310 • Fax: 763-295-4440
 © Bondhus, Protanium and ProGuard are trademarks of Bondhus Corp. EDP # 9728.09 ©2011 Bondhus Corporation.

Bondhus Corporation
 1400 E Broadway • PO Box 660
 Monticello, MN 55362 USA
 Tel: 763-295-2162 • Fax: 763-295-4440

ProTanium
 HIGH TORQUE STEEL
 High Torque Steel - Up to 20%
 stronger than competition

ProGuard
 DRY SURFACE TECHNOLOGY
 World's best corrosion
 protection

www.bondhus.com



- Patented handle design makes every job faster and easier
- Durable GorillaGrip® handle is stronger than steel handles
- Precision cut and chamfered tip ensures full tool engagement in the screw

Color Coded

- Inch
- Metric
- Star
- Inch/Metric
- Motorcycle
- Utility



High Torque Steel:

Up to 20% stronger, with more torque and twice the wear resistance of standard grades of steel.

FINISH OPTIONS:

ProGuard DRY SURFACE TECHNOLOGY DST Corrosion-resistant finish:

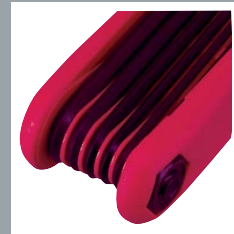
Environmentally safe, provides better tool grip, resists solvents and is 5 times more corrosion resistant than competitor finishes.

BriteGuard FINISH Next generation chrome finish:

Traditional plated tool look with superior protection and durability.

GoldGuard FINISH Real 14 karat gold finish:

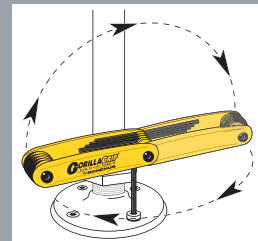
Superior protection and durability over traditional chrome and the look and shine of real gold.



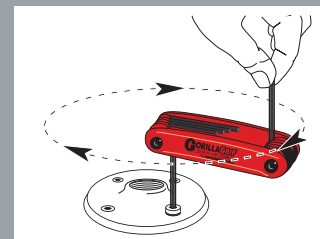
Patented Flutes allow for easy selection of one tool at a time.



Blades are accessed from both the top and bottom, eliminating the constant 'unstacking' of blades.



Turn & Flip Feature eliminates constant removal and repositioning in screw head when working against obstructions.



90° stop converts the tool into a non-stop, time saving, speed wrench.



Multi Packs

PART#	MODEL#	PCS	CONTENTS	QTY
12522	HF16	16	12589 (5/64-1/4") + 12587 (2-8mm)	1
12544	HF15	15	12587 (2-8mm) + 12634 (T9-T40)	1
12533	HF24	24	12589 (5/64-1/4") + 12587 (2-8mm) + 12634 (T9-T40)	1



Hex End

Sets	PART#	MODEL#	PCS	CONTENTS	QTY
Inch	12591	HF9S	9	.050, 1/16, 5/64, 3/32, 7/64, 1/8, 9/64, 5/32, 3/16"	1
	12589	HF9	9	5/64, 3/32, 7/64, 1/8, 9/64, 5/32, 3/16, 7/32, 1/4"	1
	12585	HF5	5	3/16, 7/32, 1/4, 5/16, 3/8"	1
Metric	12592	HF7MS	7	1.5, 2, 2.5, 3, 4, 5, 6mm	1
	12587	HF7M	7	2, 2.5, 3, 4, 5, 6, 8mm	1
	12595	HF6M	6	3, 4, 5, 6, 8, 10mm	1
Inch/Metric	12550	HF12	12	5/64, 3/32, 7/64, 1/8, 9/64, 5/32" 1.5, 2, 2.5, 3, 4, 5mm	1



Ball End

Sets	PART#	MODEL#	PCS	CONTENTS	QTY
Inch	12894	BF5	5	3/16, 7/32, 1/4, 5/16, 3/8"	1
Metric	12897	BF5M	5	5, 6, 7, 8, 10mm	1

Fits all Star and TORX® brand screws



Star Tip

Sets	PART#	MODEL#	PCS	CONTENTS	QTY
Star	12632	TF8S	8	T6, T7, T8, T9, T10, T15, T20, T25	1
	12634	TF8	8	T9, T10, T15, T20, T25, T27, T30, T40	1

Fits all Star and TORX® brand tamper resistant screws



Tamper Resistant

Sets	PART#	MODEL#	PCS	CONTENTS	QTY
Star	12636	TR-TF7S	7	TR7, TR8, TR9, TR10, TR15, TR20, TR25	1
	12638	TR-TF8	8	TR9, TR10, TR15, TR20, TR25, TR27, TR30, TR40	1



Utility

Sets	PART#	MODEL#	PCS	CONTENTS	QTY
Utility	12540	HFU5	5	PH #1; Slotted 3/16"; Hex 4, 5, 6mm	1
	12543	RFU5	5	PH #1, #2; Slotted 3/16"; Square #1, #2	1
	12545	AFU5	5	PH #1, #2; Slotted 1/8, 3/16"; Awl	1
	12547	FU5	5	PH #1, #2; Slotted 1/8, 3/16, 1/4"	1



Hawg Buddy

Designed for making all common adjustments to Harley Davidson® motorcycles

PART#	MODEL#	PCS	CONTENTS	QTY
12531	FUHB7	7	PH #2; Star T27, T40; Hex 5/32, 3/16, 1/4, 5/16"	1



Cycle Buddy

Designed for making all common adjustments to Japanese/European motorcycles

PART#	MODEL#	PCS	CONTENTS	QTY
12594	FUCB6	6	PH #2; Hex 3, 4, 5, 6, 8mm	1

Bondhus Corporation
1400 E Broadway • PO Box 660 • Monticello, MN 55362
Tel: 763-295-2162 • Toll Free: 800-328-8310 • Fax: 763-295-4440

*TORX® is a registered trademark of Acument Intellectual Properties, LLC.
†Harley Davidson® is a registered trademark of Harley-Davidson®
Bondhus, Protanium, ProGuard, BriteGuard, GoldGuard and GorillaGrip are trademarks of Bondhus Corporation.

Distributed by:



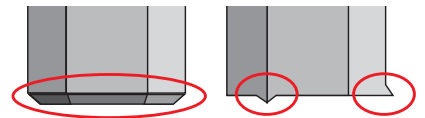


ProHold® Socket Bits Large Sizes for big jobs

Available in sizes
up to 2", 36mm
and T100 Star



Sizes are plainly marked on sockets



BONDHUS TIP:
Clean corners and
smooth end

COMPETITOR:
Burs and other
imperfections

Bondhus chamfers every Hex End socket
bit for easy insertion

BONDHUS
LIFETIME WARRANTY
If any Bondhus® tool breaks or fails to meet your expectations in any way, simply return it. We will replace it free of charge.



High Torque Steel:

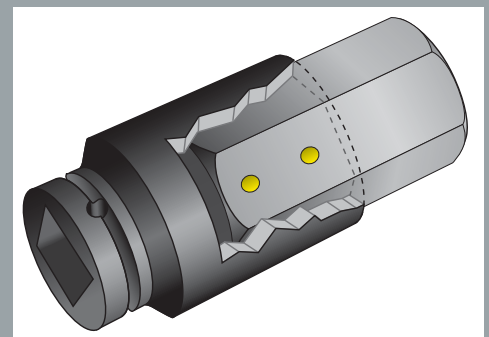
Up to 20% stronger, with more torque and twice the wear resistance of standard grades of steel.

BIT FINISH:



Corrosion-resistant finish:

Environmentally safe, provides better tool grip, resists solvents and is 5 times more corrosion resistant than competitor finishes.



Patented ProHold® button technology
secures bits in sockets without the use of
set screws or roll pins

www.bondhus.com



Singles	SIZE	LENGTH	PART#	QTY
Inch	7/8	2.5"	33220	1
	1	2.5"	33221	1
	1 1/8	2.5"	33223	1
	1 1/4	2.5"	33225	1
	1 1/2	2.5"	33229	1
	1 3/4	2.5"	33231	1
	2	2.5"	33233	1
	Metric	22	2.5"	33291
24		2.5"	33293	1
27		2.5"	33295	1
32		2.5"	33297	1
36		2.5"	33200	1

Singles	SIZE	BIT STOCK	LENGTH	PART#	QTY
Star	T70	17mm	2"	32070	1
	T80	19mm	2"	32080	1
	T90	22mm	2.5"	32090	1
	T100	22mm	2.5"	32000	1

Distributed by: